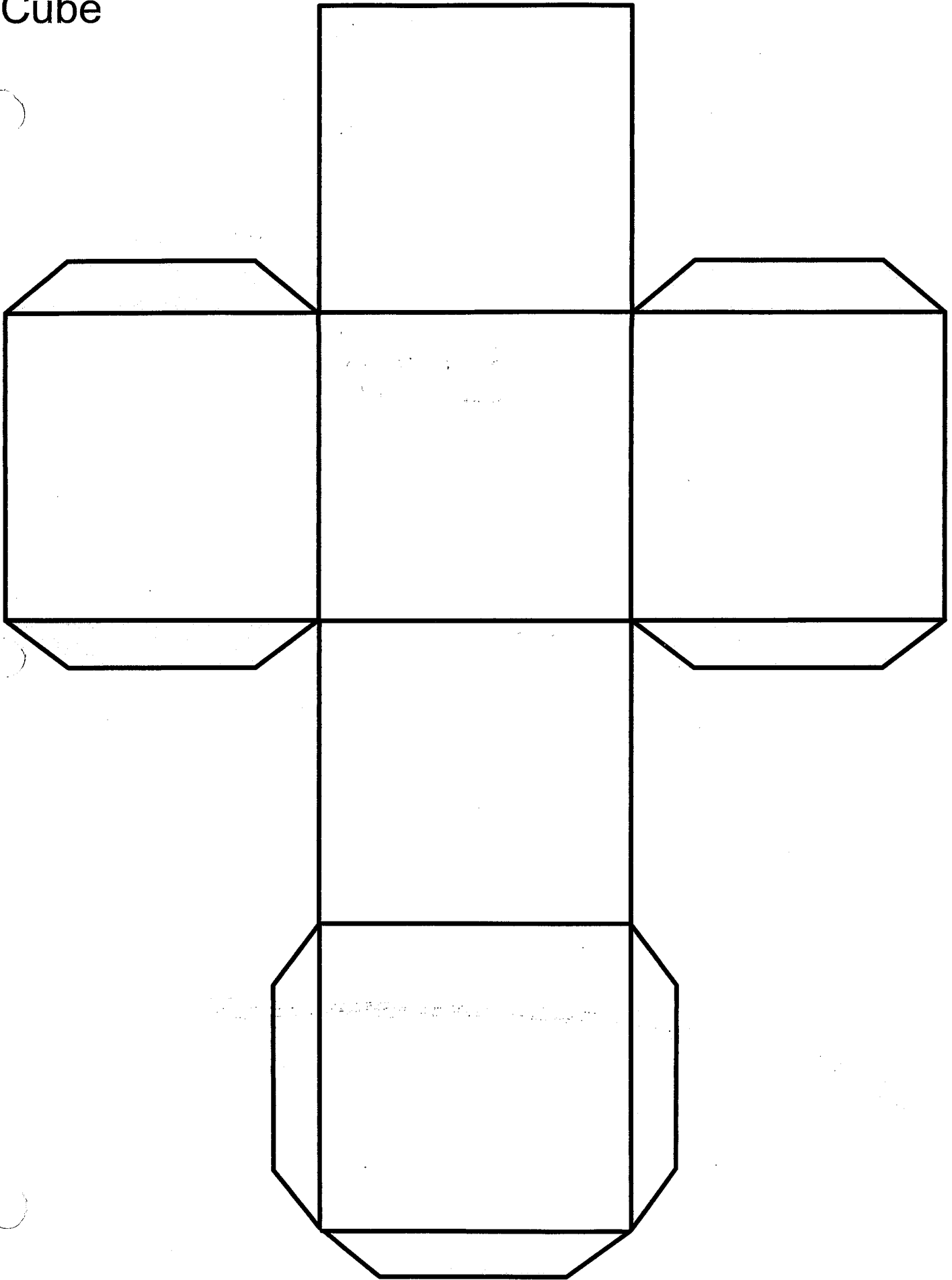
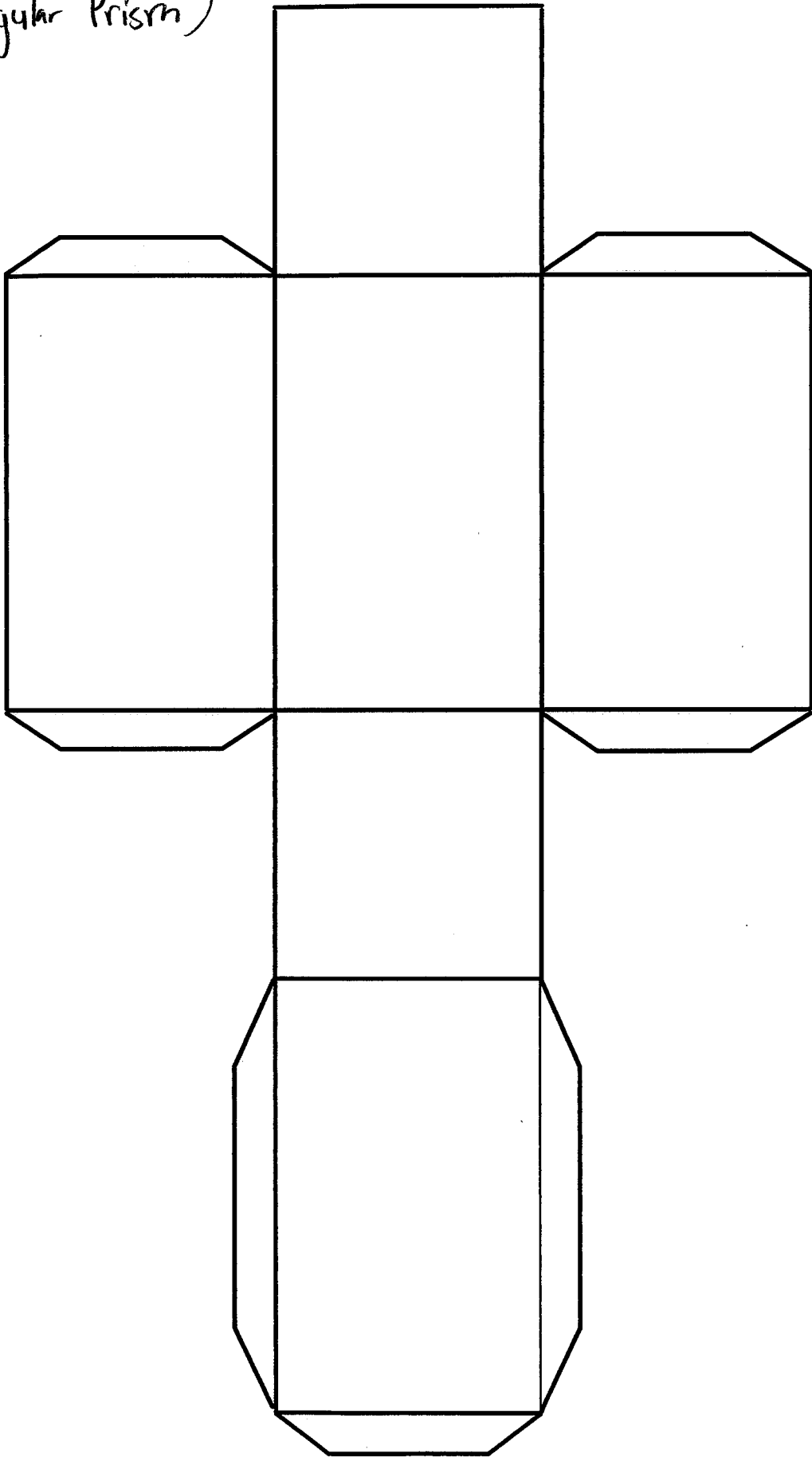


Cube

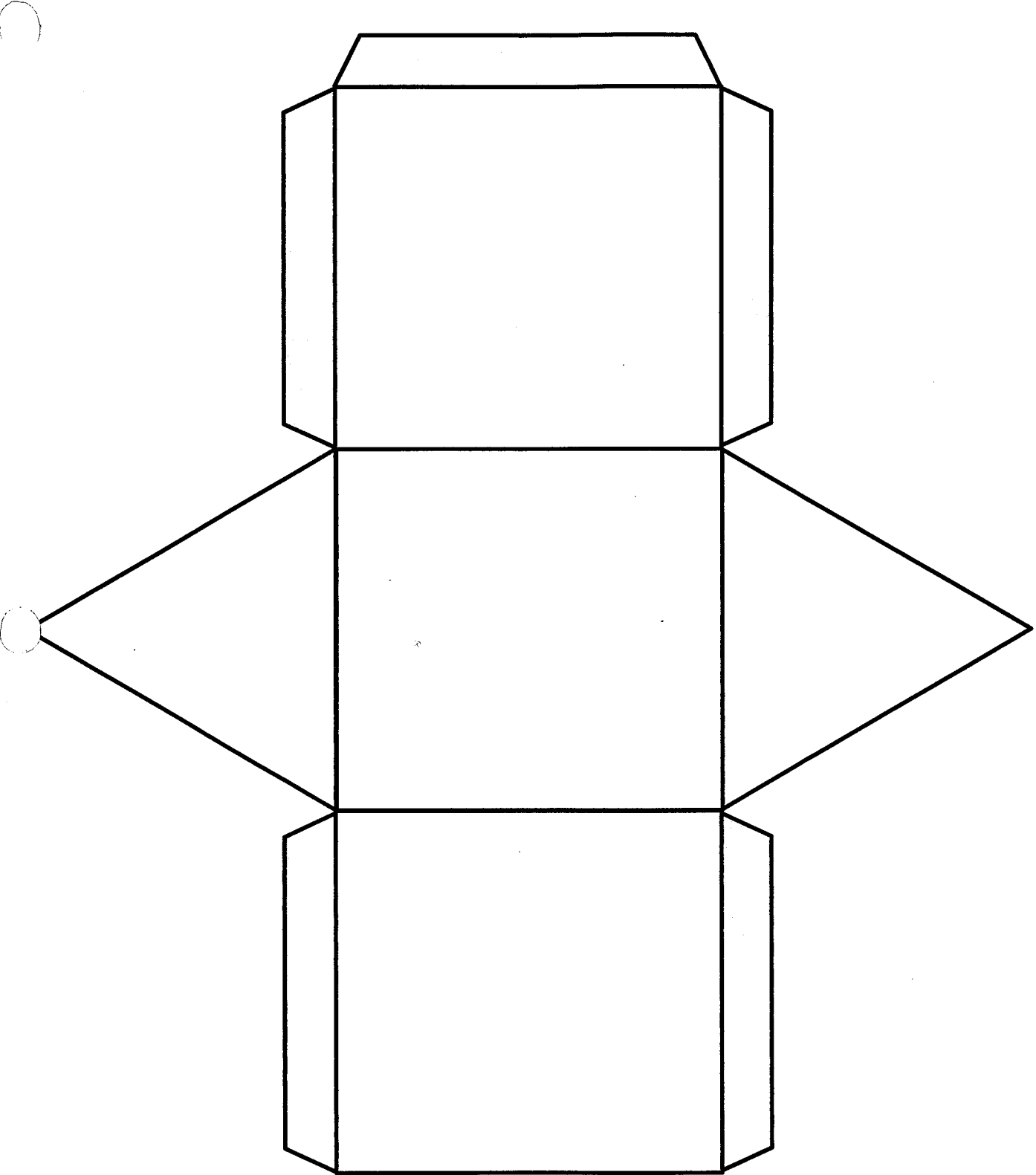


Cuboid

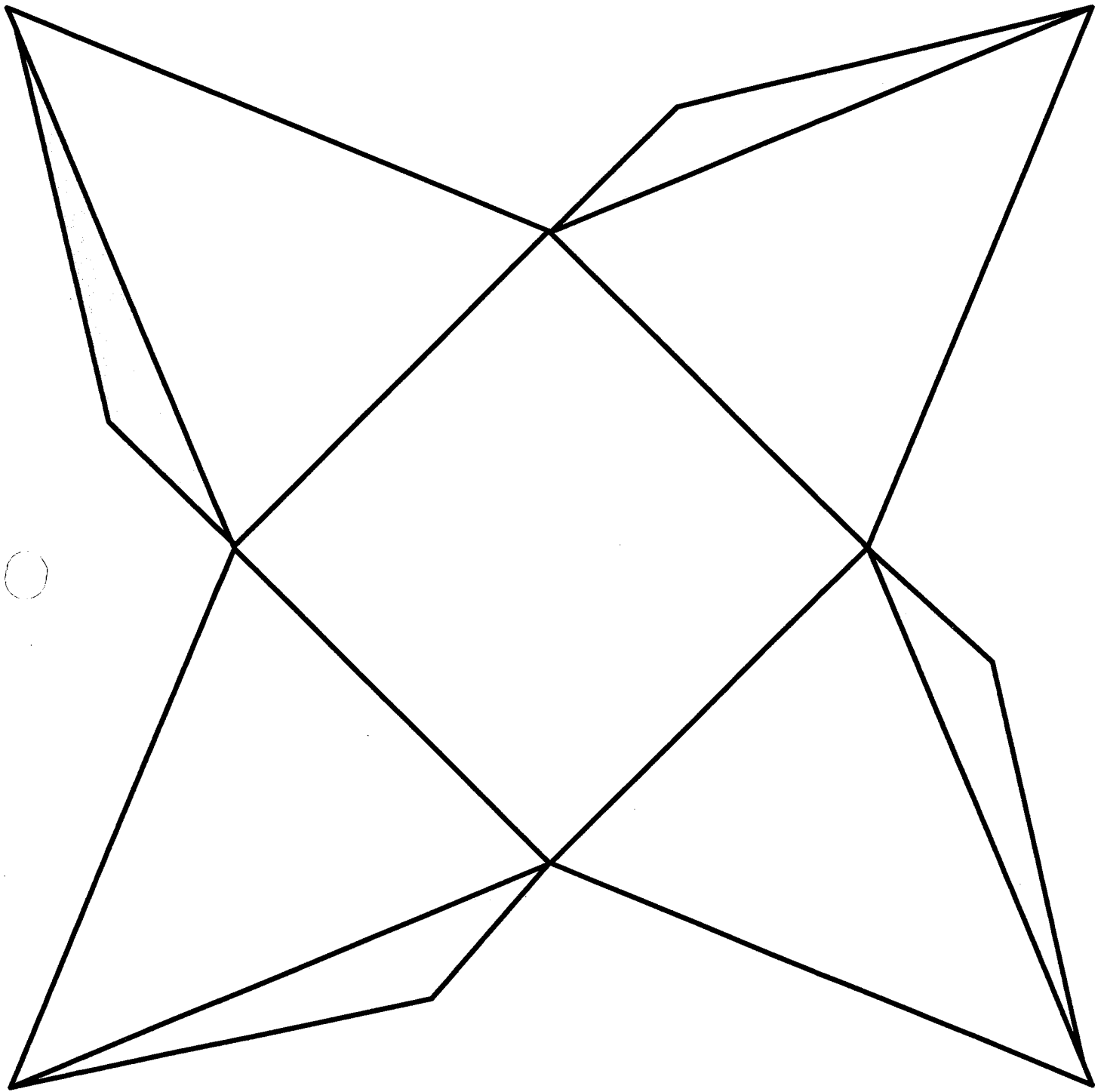
(Rectangular Prism)



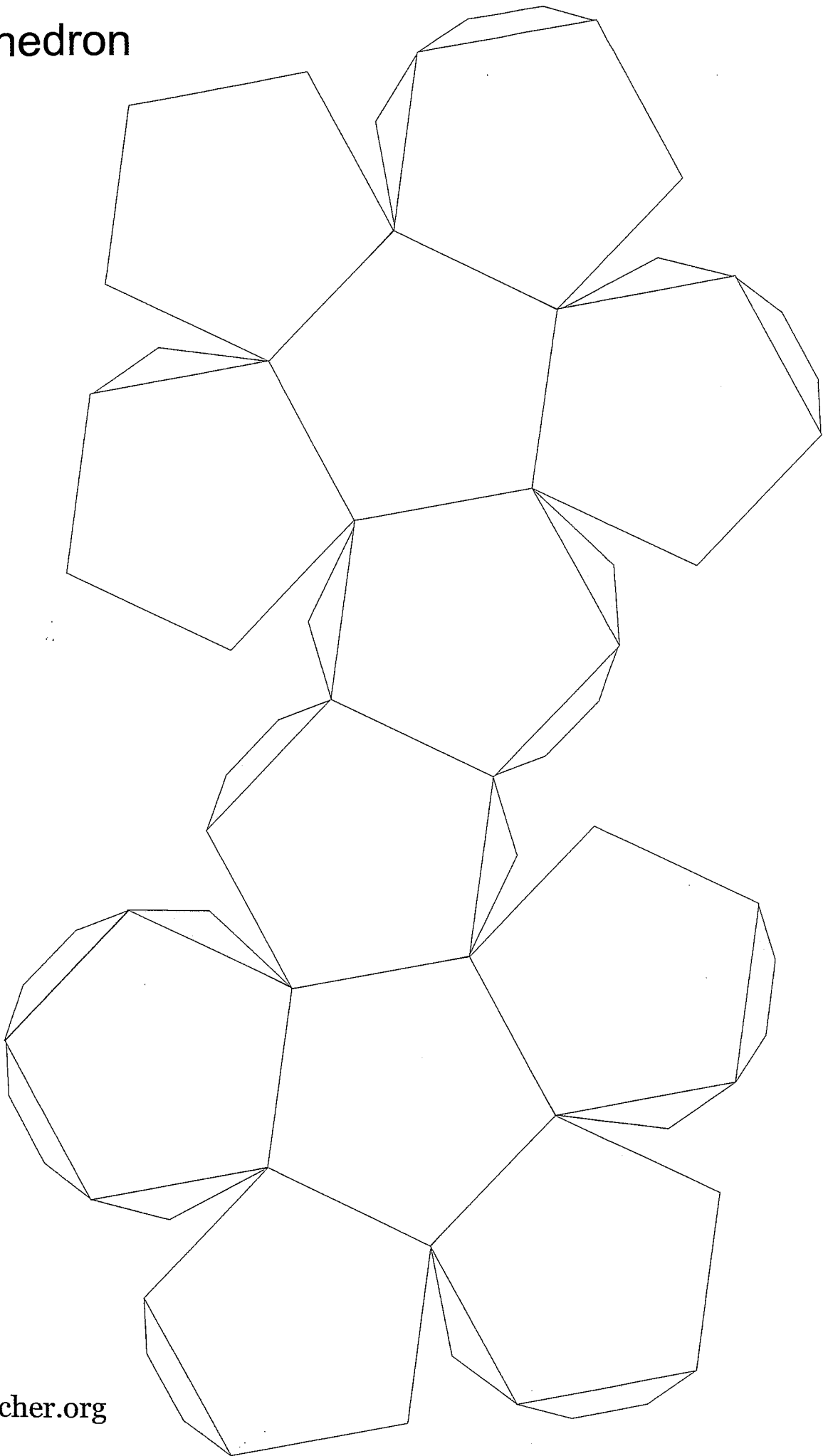
Triangular Prism



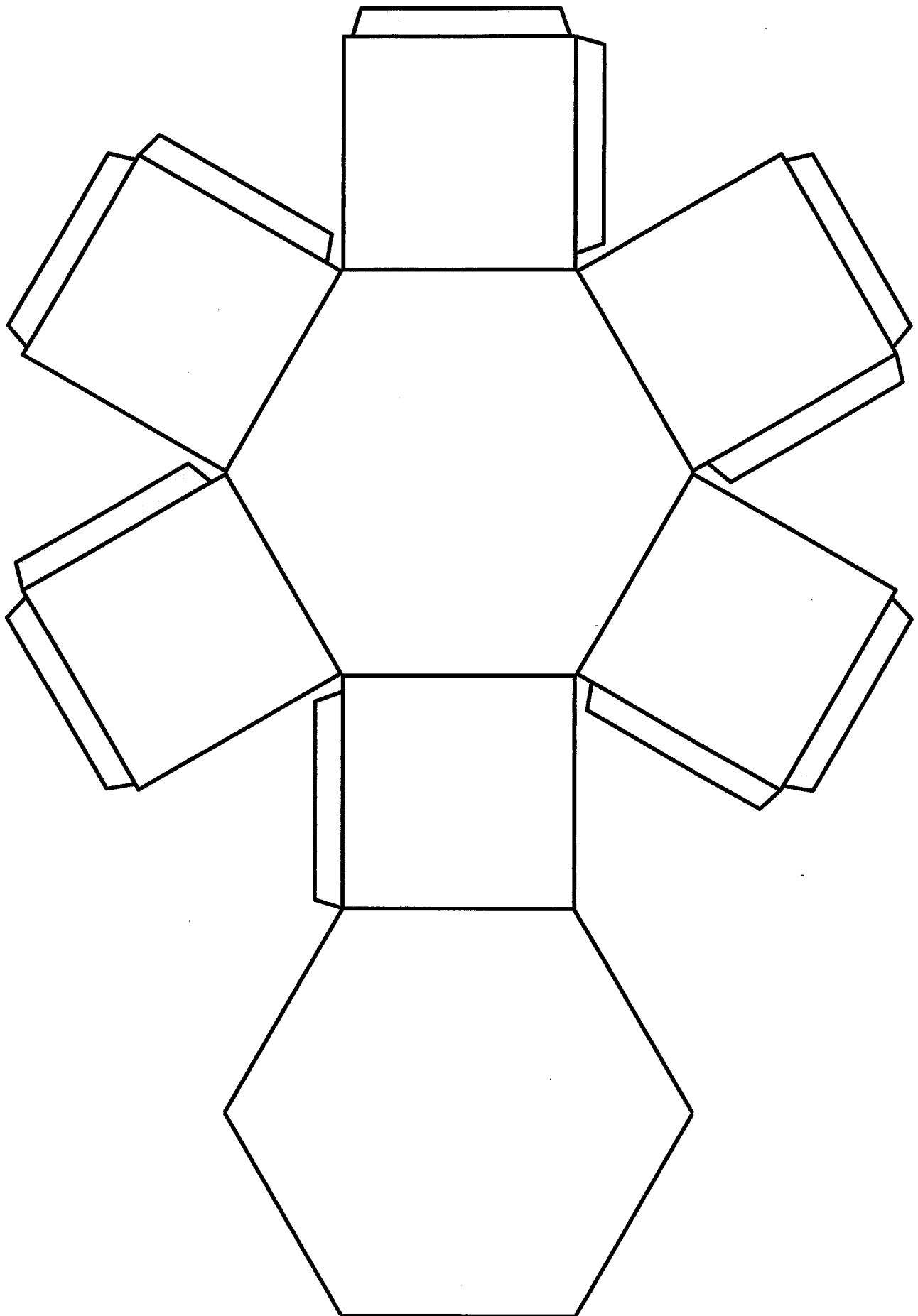
Pyramid



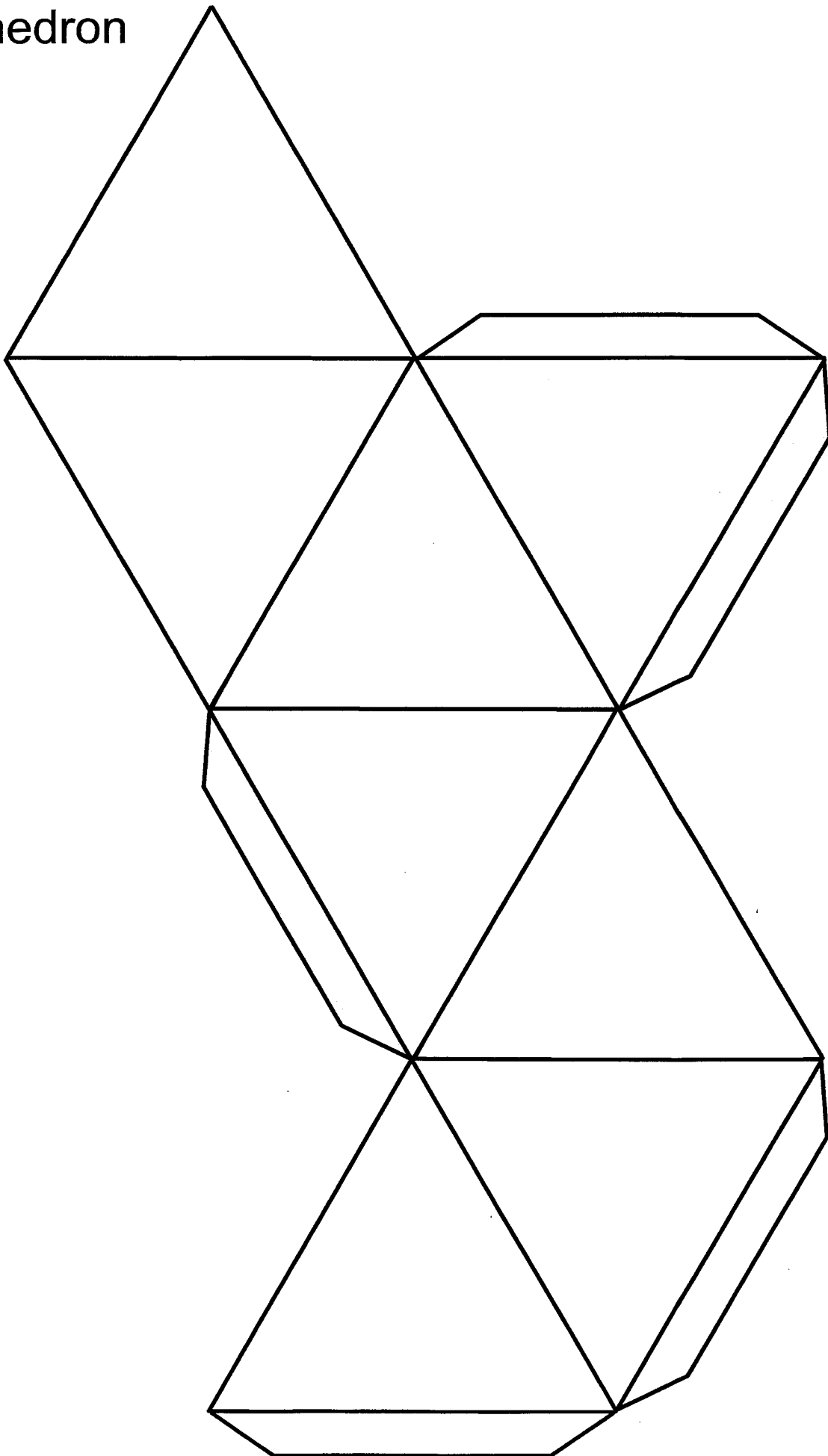
Dodecahedron



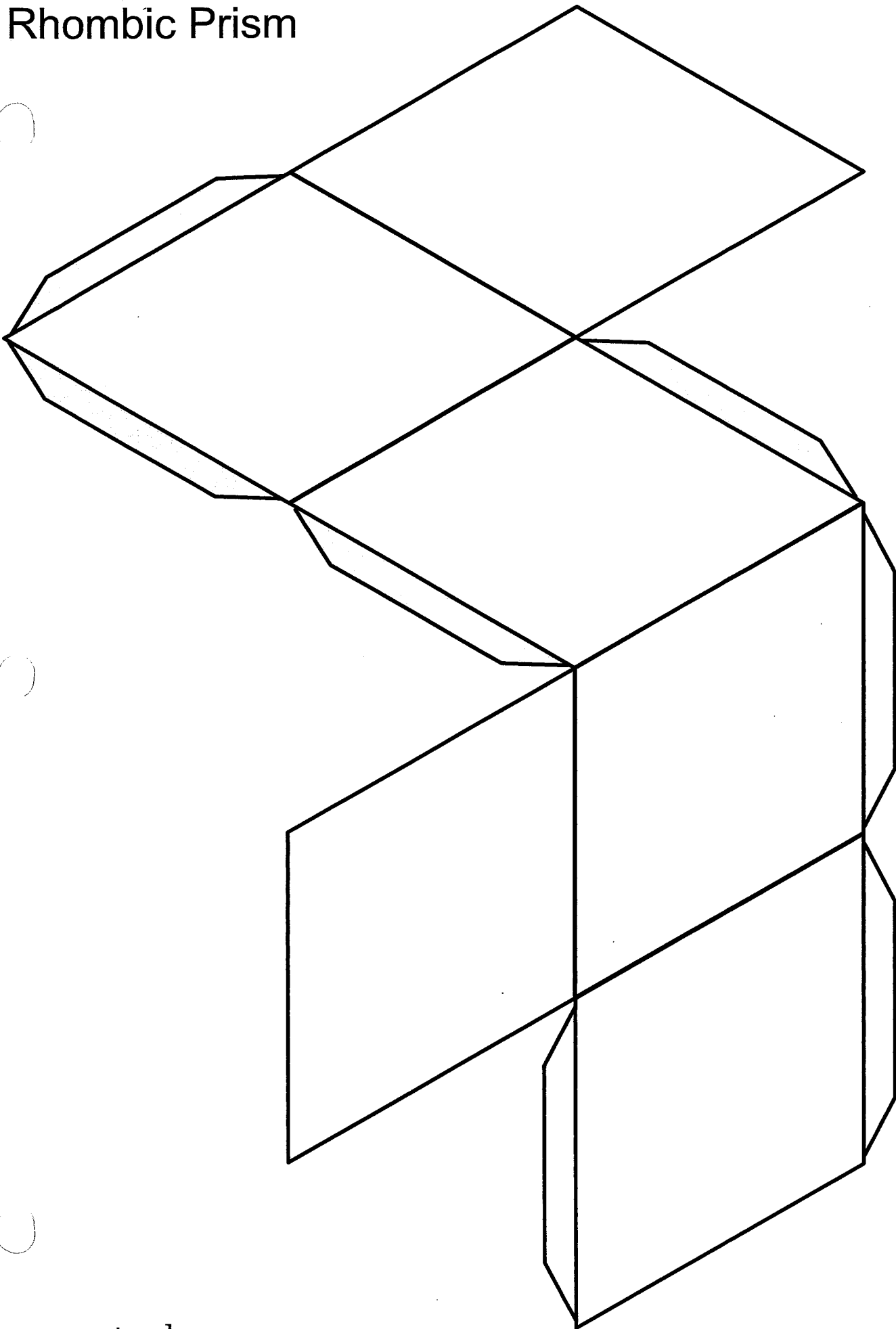
Hexagonal Prism



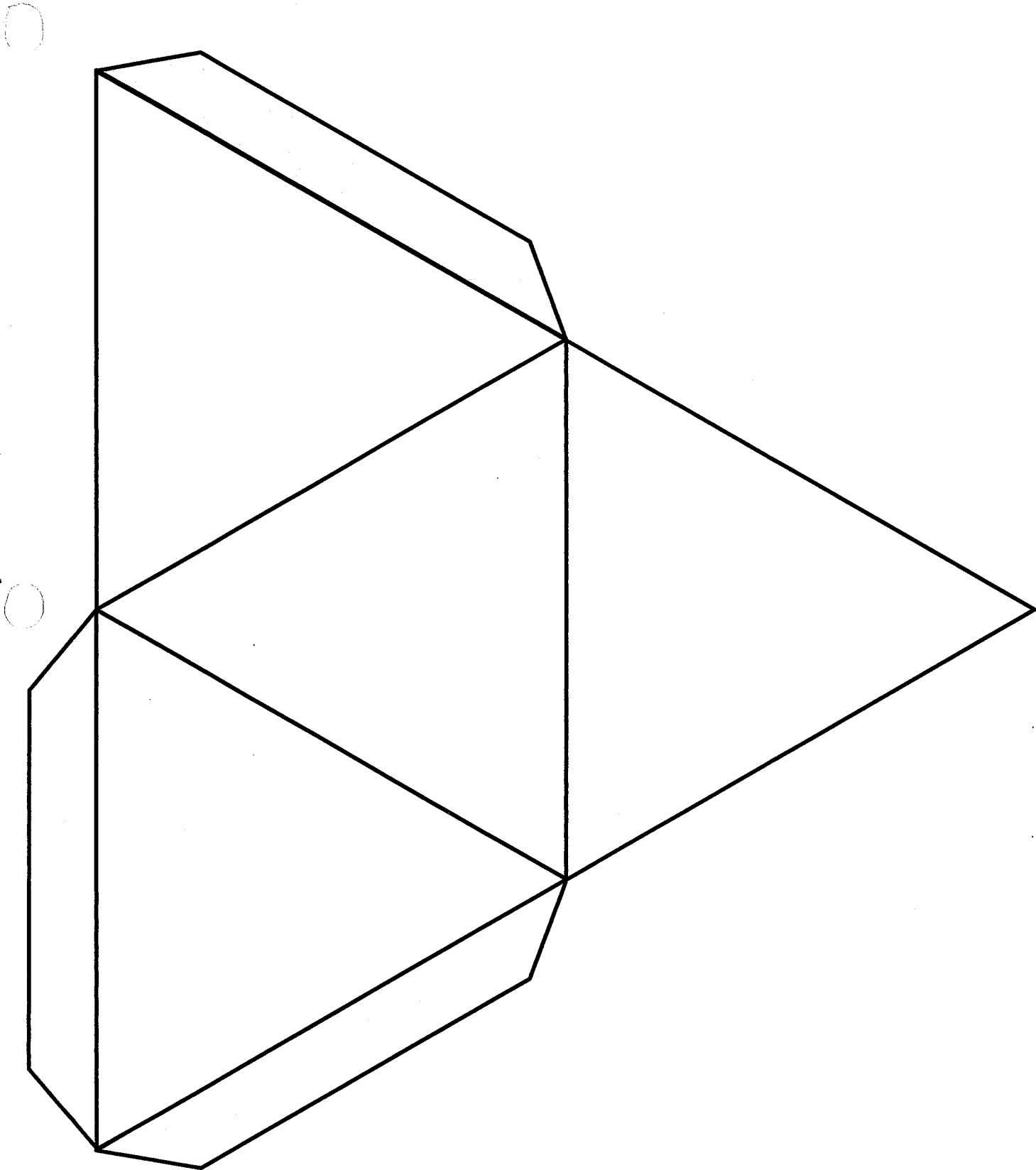
Octahedron



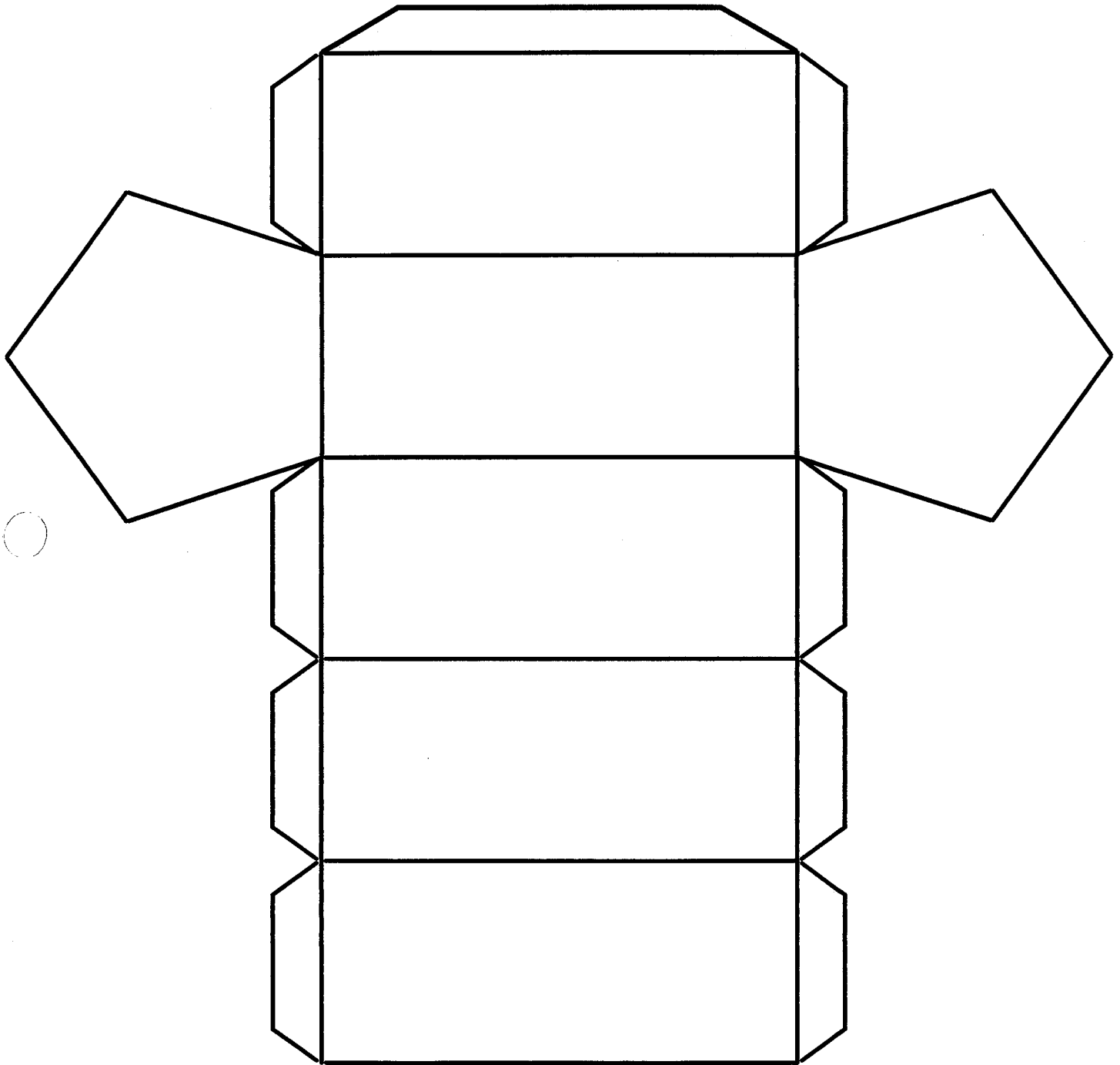
Rhombic Prism

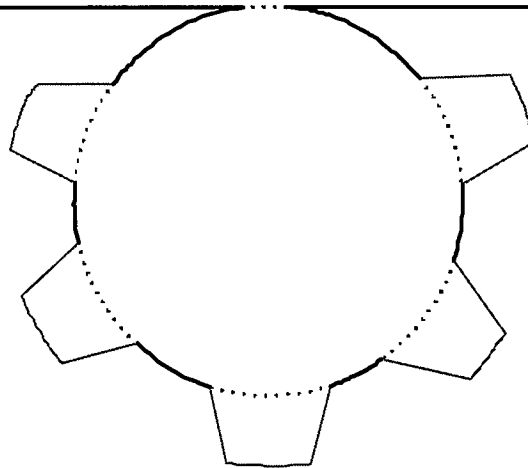
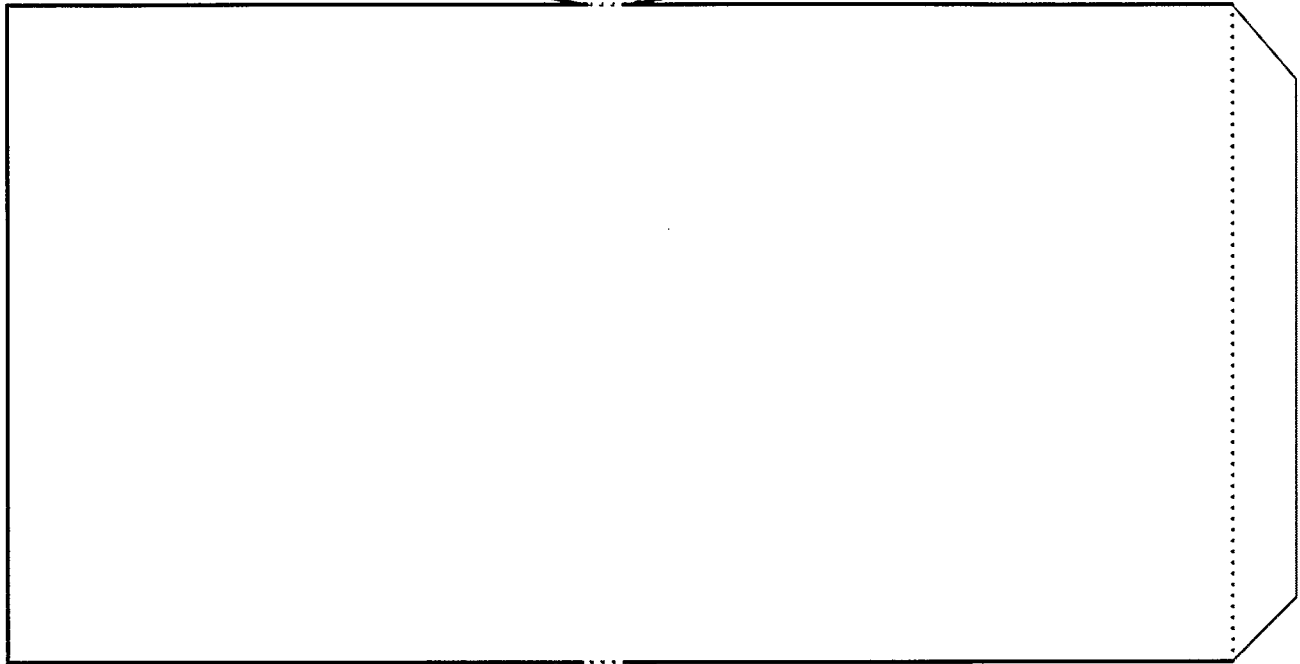
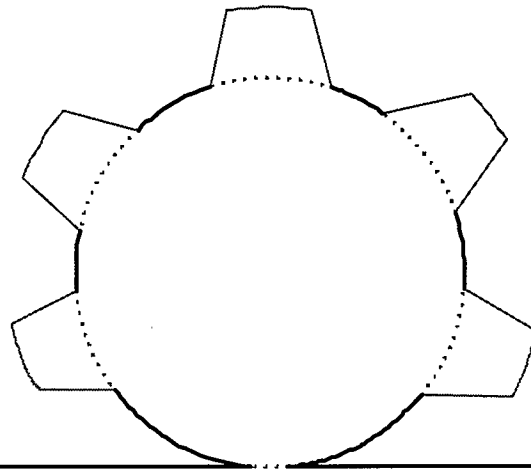


Tetrahedron

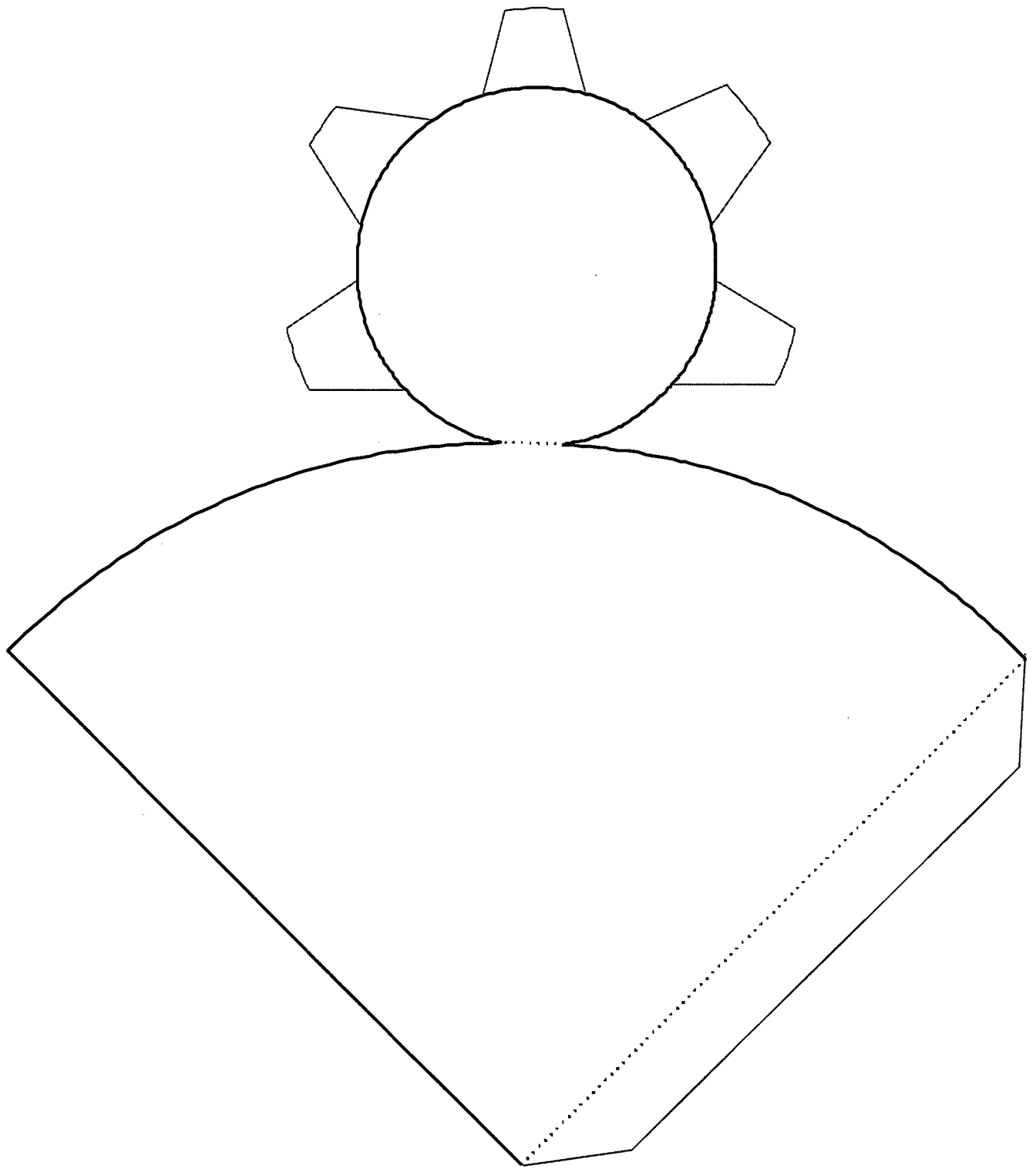


Pentagonal Prism





Cylinder Net: Cut out the shape. Fold along dotted lines. Fold down the flaps.



Cone Net: Cut out the shape. Fold along dotted lines. Fold down the flaps.