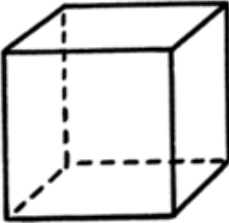
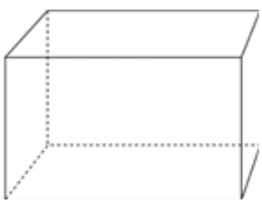
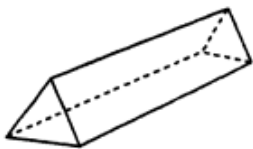
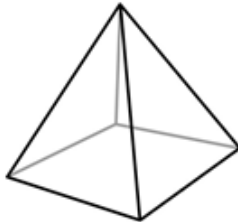
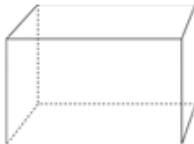
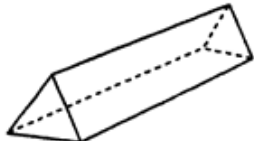
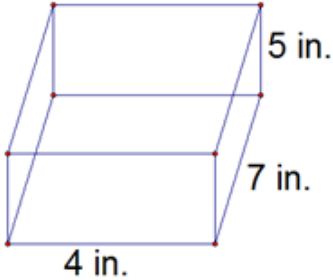
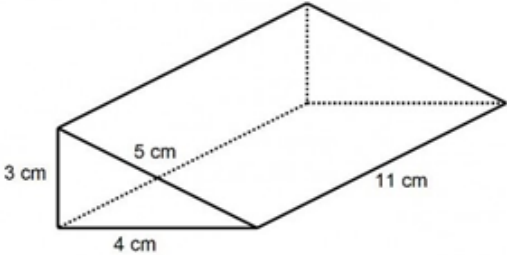
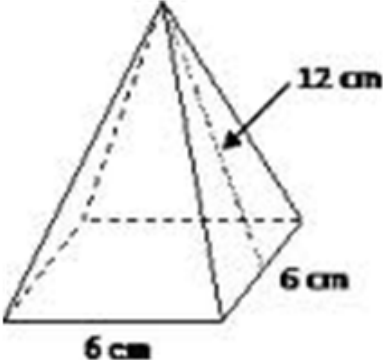
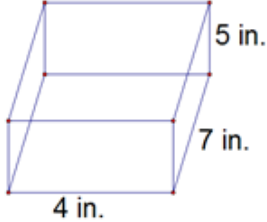
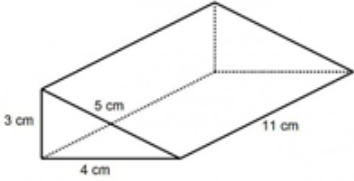
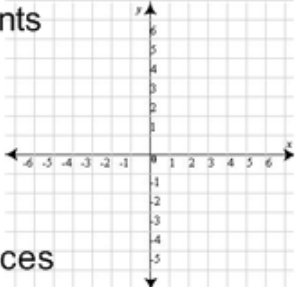
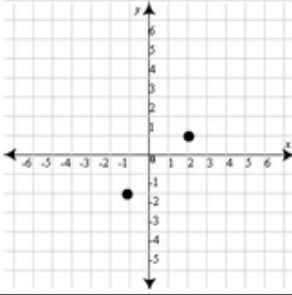
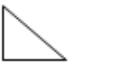




Name _____

Study Guide

<p>Perimeter:</p>	<p>Example:</p> <div style="display: flex; align-items: center; justify-content: center;"> <div style="margin-right: 10px;">3.5in</div> <div style="border: 1px solid black; width: 60px; height: 40px; margin-right: 10px;"></div> <div style="margin-right: 10px;">5.7in</div> </div>		
<p>Area of a rectangle:</p>	<p>Example:</p> <div style="display: flex; align-items: center; justify-content: center;"> <div style="margin-right: 10px;">$2\frac{1}{2}$ in.</div> <div style="border: 1px solid black; width: 60px; height: 40px; margin-right: 10px;"></div> <div style="margin-right: 10px;">$4\frac{1}{4}$ in.</div> </div>		
<p>Area of a triangle:</p>	<div style="display: flex; align-items: center; justify-content: center;"> <div style="margin-right: 10px;">5 in.</div> <div style="border: 1px solid black; width: 60px; height: 40px; margin-right: 10px; position: relative;"> <div style="position: absolute; top: 0; right: 0; border-left: 1px solid black; border-bottom: 1px solid black;"></div> </div> <div style="margin-right: 10px;">8 in.</div> </div>		
<p>Solid Figures</p>			
<p>Cube</p>	<p>Rectangular Prism</p>	<p>Triangular Prism</p>	<p>Pyramid</p>
			
<p>Draw the net for the above figures.</p>			

		
Faces		
Edges		
Vertices		
How to Find Surface Area		
Surface Area of a Rectangular Prism:		Example
		
Surface Area of a Triangular Prism:		Example
		
Surface Area of a Pyramid:		Example
		

<p>Volume of a Rectangular Prism:</p> 	<p>Example</p>
<p>Volume of a Triangular Prism:</p> 	<p>Example</p>
<p>Graphing Shapes</p> <p>Graph these points</p> <p>(-3, 3)</p> <p>(-3, 0)</p> <p>(5, 0)</p> <p>(5, 3)</p>  <p>Connect the vertices</p>	<p>Describe the shape you graphed.</p>
<p>Finding Missing Vertices of Shapes</p> <p>What two points are needed to complete the square to the right?</p>	
<p>Reflection : Flip</p>	
<p>Rotation : Turn</p>	
<p>Translation : Slide</p>	

My student was able to study for AT LEAST 30 minutes for this test.

Parent signature _____ Date _____